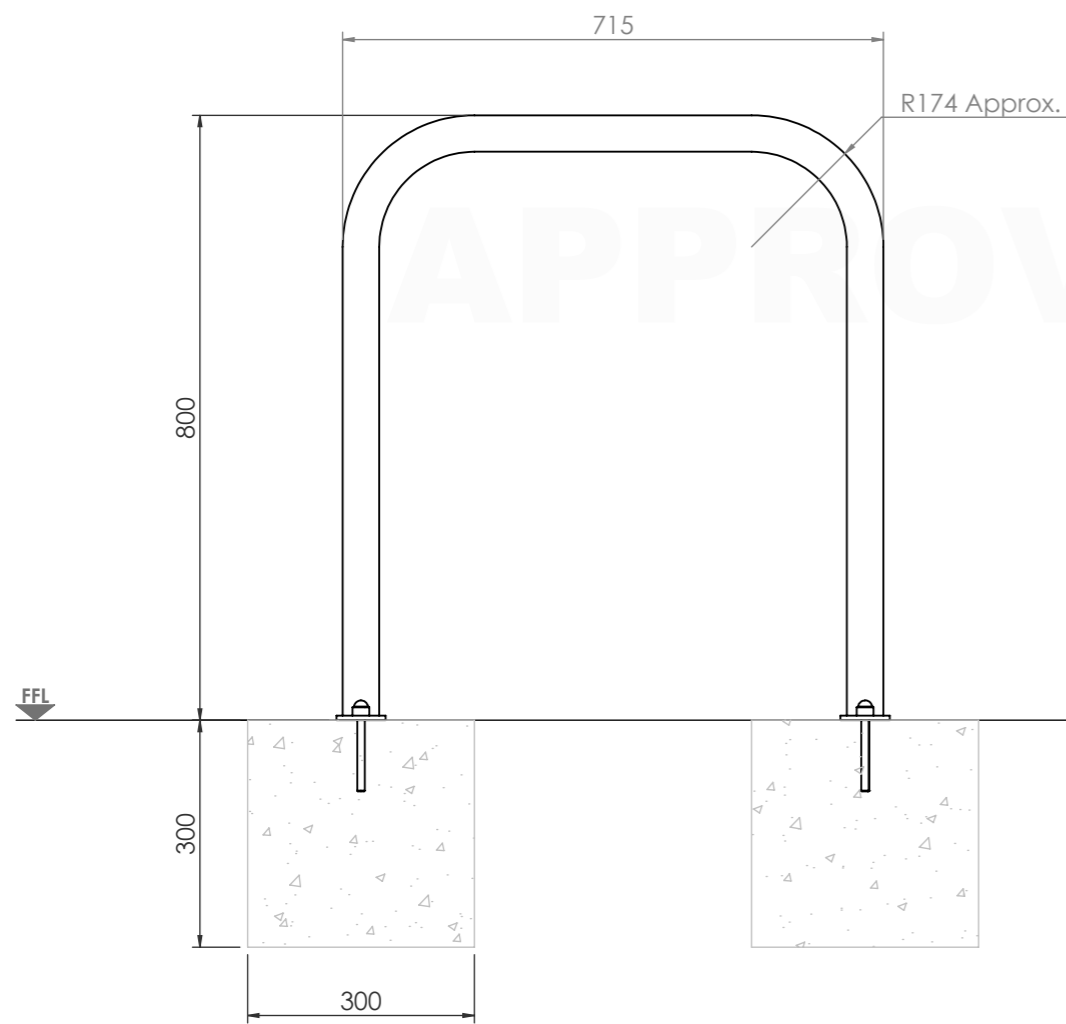


FULLY WELDED ϕ 48.3x3 STEEL TUBE
GRADE 304 STAINLESS STEEL

6mm SURFACE MOUNTING
BASEPLATES



INSTALLATION:
RECOMMENDED Min. FOUNDATION AS SHOWN IN
C16/20 CONCRETE. **SITE ENGINEER TO DETERMINE
APPROPRIATE SIZE AND COMPOSITION OF ANY
FOUNDATIONS BASED ON LOCAL GROUND
CONDITIONS**

INSTALLATION Via **4no. M10x100 THUNDERBOLT
GROUND FIXINGS**

APPROXIMATE TOTAL WEIGHT: 8.6 kg

CYCLE PARKING ITEM SUPPLIED TO SITE FULLY
ASSEMBLED
ANY GROUND FIXINGS SUPPLIED BY OTHERS

GENERAL ARRANGEMENT: SHEFFIELD CYCLE STAND



Adlington Business Park, London Road, Adlington, Cheshire, SK10 4NL
Tel: 01625 322 888 | enquiries@bsfg.co.uk

BSFG Doc. NUMBER: 106.0036.015.KK-BSFG-XX-XX-DR-X-0015_0	Doc. TYPE GA	DRW: TS	DATE: 10/06/2025
BSFG Doc. TITLE: GENERAL ARRANGEMENT - SHEFFIELD CYCLE STAND	SHEET: 1 OF 1	CHK: KL	DATE: 25/06/2025
PART NUMBER: SHEFFIELD CYCLE STAND	SCALE: 1:10 @A3	APP: TS	DATE: 25/06/2025
PART CONFIGURATION: SM STAINLESS	BSFG Doc. STATUS: APPROVED FOR ISSUE		
BSFG JOB NUMBER: STANDARD PRODUCT	3rd ANGLE PROJECTION	DO NOT SCALE FROM DRAWING DIMENSIONS IN mm UNLESS STATED OTHERWISE	BSFG Doc.REV: 0

BSFG Doc. REVISIONS

REV.	BY	DESCRIPTION	DATE	CHKD	APVD
------	----	-------------	------	------	------

--	--	--	--	--	--

PRODUCTS WILL BE SUPPLIED WITH A SMALL IDENTIFICATION LABEL. IF YOU WOULD LIKE THIS REMOVED PRIOR TO DELIVERY PLEASE SPECIFY AT TIME OF ORDER